

# Radial spherical plain bearings GE..FW 2RS

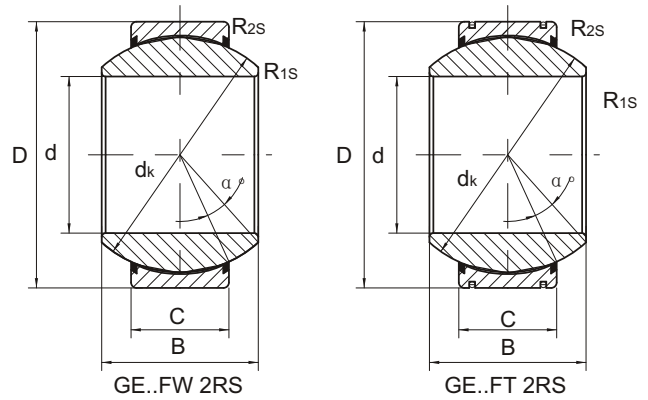


## 向心关节轴承

□ Maintenance-free, heavy-duty, sealed  
需润滑，带密封，重负载

- Outer ring with single split in axial direction.
- Outer race lined with PTFE fabric.
- Outer ring with lip seals in both sides.
- Spherical surface of inner ring hard chrome plated.
- Outer ring properly phosphate treated.

- 外圈有一道轴向缝。
- 外圈球面粘贴有PTFE织物。
- 外圈两面带密封圈。
- 内圈球面镀铬。
- 外圈表面磷化处理。



Part No. 型号	Dimensions 尺寸mm								Load ratings 负荷KN		Weight 重量Kg
	d	D	B	C	dk	R <sub>1s</sub> min	R <sub>2s</sub> min	α ≈	dyn. 动 C <sub>d</sub>	stat. 静 C <sub>s</sub>	
GE 15 FW 2RS	15	30	16	10	25	0.3	0.3	16	22.4	56	0.046
GE 17 FW 2RS	17	35	20	12	29	0.3	0.3	19	31.5	78	0.078
GE 20 FW 2RS	20	42	25	16	35.5	0.6	0.6	17	51	127	0.15
GE 25 FW 2RS	25	47	28	18	40.7	0.6	0.6	17	65.5	166	0.19
GE 30 FW 2RS	30	55	32	20	47	0.6	1.0	17	210	350	0.29
GE 35 FW 2RS	35	62	35	22	53	0.6	1.0	16	277	462	0.39
GE 40 FW 2RS	40	68	40	25	60	0.6	1.0	17	360	600	0.52
GE 45 FW 2RS	45	75	43	28	66	0.6	1.0	15	442	737	0.68
GE 50 FW 2RS	50	90	56	36	80	0.6	1.0	17	690	1150	1.40
GE 60 FW 2RS	60	105	63	40	92	1.0	1.0	17	885	1475	2
GE 70 FW 2RS	70	120	70	45	105	1.0	1.0	16	1125	1875	2.90
GE 80 FW 2RS	80	130	75	50	115	1.0	1.0	14	1380	2300	3.50
GE 90 FW 2RS	90	150	85	55	130	1.0	1.0	15	1717	2862	5.40
GE 100 FW 2RS	100	160	85	55	140	1.0	1.0	14	1845	3075	6
GE 110 FW 2RS	110	180	100	70	160	1.0	1.0	12	2685	4475	9.7
GE 120 FW 2RS	120	210	115	70	180	1.0	1.0	16	3015	5025	14
GE 140 FW 2RS	140	230	130	80	200	1.0	1.0	16	3840	6400	19
GE 160 FT 2RS	160	260	135	80	225	1.1	1.1	16	4320	7200	24.7
GE 180 FT 2RS	180	290	155	100	250	1.1	1.1	14	6000	10000	35.9
GE 200 FT 2RS	200	320	165	100	275	1.1	1.1	15	6600	11000	45.3
GE 220 FT 2RS	220	340	175	100	300	1.1	1.1	16	7200	12000	51.1
GE 240 FT 2RS	240	370	190	110	325	1.1	1.1	15	8550	14250	65.1
GE 260 FT 2RS	260	400	205	120	350	1.1	1.1	15	10050	16750	82.4
GE 280 FT 2RS	280	430	210	120	375	1.1	1.1	15	10800	18000	97.2